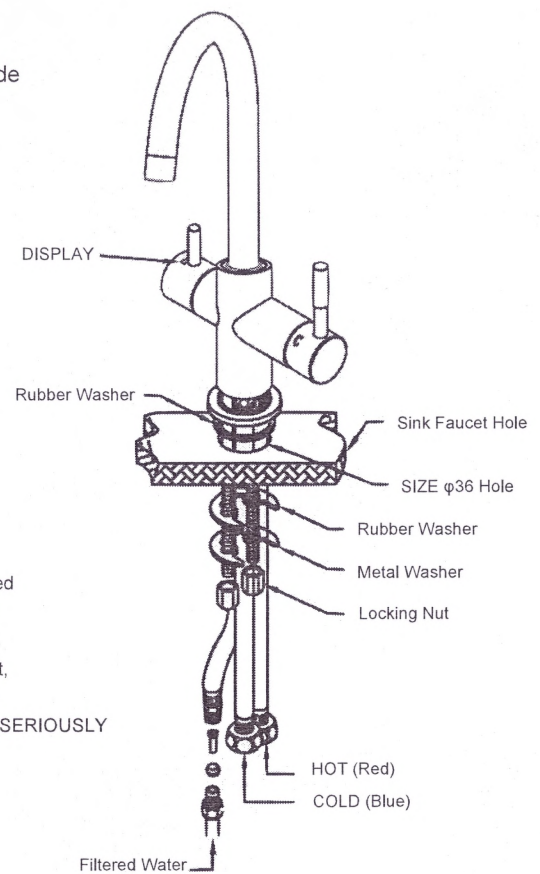
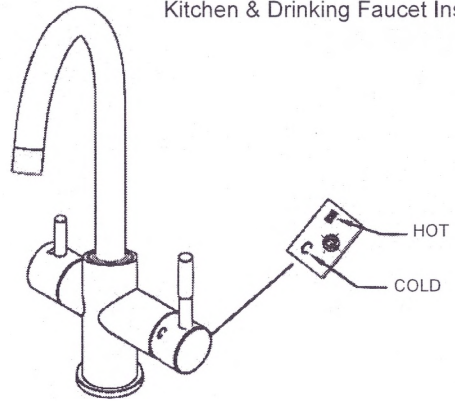


Kitchen & Drinking Faucet Installation Guide

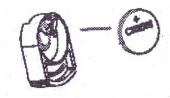


IMPORTANT Notice of Routine Maintenance and Care

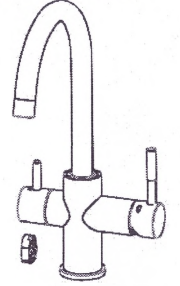
- *Occasional cleaning of aerator is recommended
- *Use of soapy water and a soft sponge or cloth is recommended
- *Avoid cleaning with chemicals, solvents, or harsh detergents (THIS MAY SERIOUSLY HARM SURFACE AREA)
- *If used with hard water or water with very high mineral content, it is absolutely necessary to clean and dry faucet immediately after every use. (CALCIUM AND OTHER MINERALS COULD SERIOUSLY DAMAGE SURFACE AREA).

BATTERY INSTALLATION STEPS:

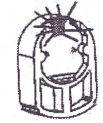
1. Install battery



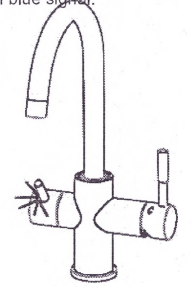
3. Install into faucet canopy



2. Reset: Install battery, red light flashing and then follow by the blue light.



4. Open filtered water with blue signal.



LED FUNCTION:

1. The blue light flashes during normal operation. If the operation time exceed 2000 minutes, the red light flashes. Please change the filter and battery at the same time.
2. After you reset (replace battery) the timer over 6 months, the red light will also be flashed even with the short of 2000 minutes using time. Please change the filter and battery at the same time.

